



**MAX SPARE**  
L I M I T E D

QUALITY. PRECISION. SPEED.



# Earthmoving, Construction & Mining Machinery Seals

(Version - 6)



*QUALITY  
PRECISION  
SPEED*

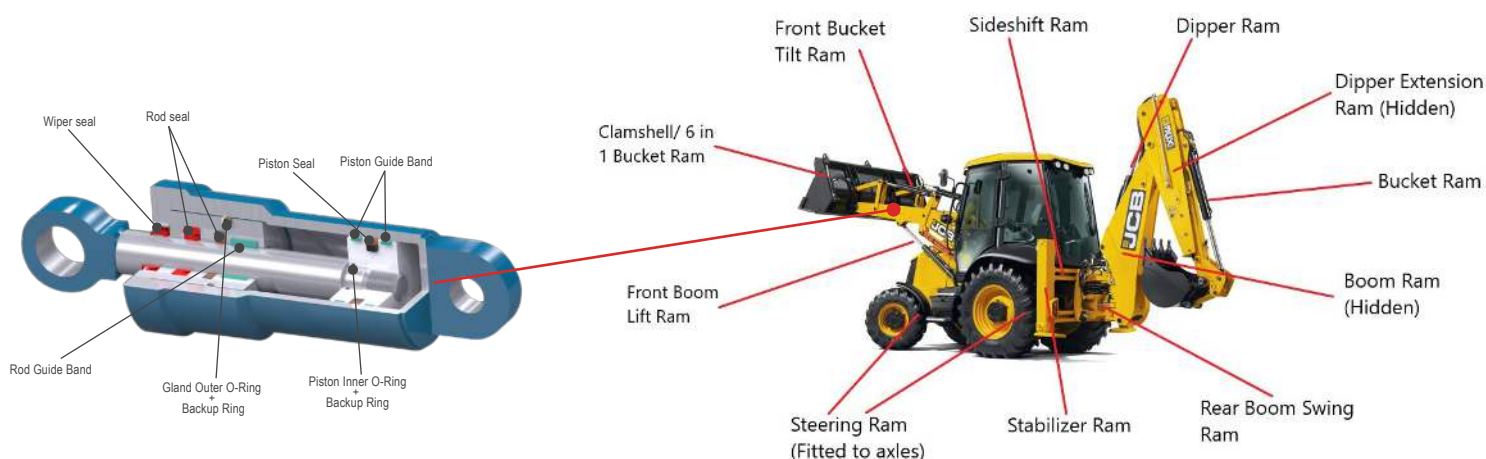
**MAX SPARE**  
LIMITED  
QUALITY. PRECISION. SPEED.



**ASIA'S LARGEST SEAL PLANT**



# BACKHOE LOADER



Cyl Details	Part No
<b>JCB OLD</b>	
STEERING	130/15089
LIFT	130/15106
BUCKET	130/15107 ( 30390 )
DIPPER	130/15108
BOOM	130/15109
STABILIZER	130/15110
BOOM	130/15167
DIPPER	130/15168
BOOM	550/30416
DIPPER	550/30444
BOOM	550/40998
DIPPER	550/40999
STABILIZER	550/41000
SHOVEL	550/41001
STEERING	550/41002
BUCKET	550/41003
SLEW	550/41004
LIFT	550/41008
STABILIZER	550/42126
SLEW	550/42261
STEERING	550/42383
SHOVEL	550/42835
LIFT	550/42842
DIPPER	550/42847 (42098)
STABILIZER	550/42849
BOOM	550/42854 (42085)
BUCKET	550/42855 (42112)
<b>JCB 4DX</b>	
BOOM	550/30289
STABILIZER	550/42904
DIPPER	550/42909

Cyl Details	Part No
<b>JCB NEW</b>	
SHOVEL/TLT - 2016	335/F5476
BOOM	336/F1981
ARM	336/E8026
BUCKET	336/C6798
SLEW	336/E7315
TILT	335/H3924
TILT	336/E8025
LIFT - 2018	336/A1145
SEAL KIT	335/E6981
LOADER LIFT	400/N5514
STAB	400/04115
LIFT	336/F1985
STEERING (4WD)	336 / E0948
<b>JCB 4CX</b>	
BOOM	550/30071
DIPPER	550/30072
BUCKET	550/30073
STABILIZER	550/30074
SLEW	550/30075
LIFT	550/30076
L.BUCKET	550/30077
STEERING	550/30078
6 IN 1 RAM	550/30079
<b>JCB 4D</b>	
DIPPER	550/41859
BUCKET/STAB	550/41860
LIFT	550/41862
STEERING-4WD	550/41863
SLEW	550/42414
LIFT	696/101276

# BACKHOE LOADER

Cyl Details	Part No
<b>JCB 2008 ONWARDS</b>	
LIFT - 2008	332/Y2186 (43774)
STABILIZER - 2008	332/Y3519 (5599)
DIPPER - 2008	332/Y6192
BOOM - 2008	332/Y6194
BUCKET - 2008	332/Y6195
SHOVEL - 2011	332/Y3543
BOOM - 2011	332/Y6440 (6954)
DIPPER - 2011	332/Y6462
BUCKET - 2011	332/Y6519
BUCKET - 2013	332/Y7633
STEERING - 2013	333/Y9235 (0302)
BOOM - 2013	333/Y6024
ARM - 2013	333/Y6023
BUCKET - 2013	332/Y8994
STABILISER - 2013	STB - 2013
LIFT	335/C1388
BUCKET	332/E8224
HBY STEP SEAL (BKT-BOM-DPR-FLW)	215-60755-63
<b>JCB 3DX-ECO</b>	
ARM	336/F2238
BOOM	336/F1477
BUCKET	336/F1480
LIFT	336/F1486
SLEW	336/F1579
TILT	336/F1483
STABILISER	400/03292
STABILISER	400/03293
STEERING	400/07774
<b>JCB 2DX</b>	
BUCKET	333/Y3106
STEERING	333/Y3169
SWING	333/Y3121
BOOM / ARM	333/Y3086
STABILISER	333/Y3112
TILT	333/Y3170
LIFT	333/Y3171
GRABBER KIT	40 X 63

Cyl Details	Part No
<b>JCB 3CX</b>	
LIFT	991/00102
LIFT	991/00103
BOOM	991/00110
STAB/DIPPER	991/00122
LIFT RAM	991/00123
BUCKET	991/00127
SLEW SWING	991/00152
SHOVEL	991/20021
LOADER RAM	991/20022
DIPPER	991/20023
BUCKET	991/00147
STEERING	991/00098
LIFT RAM	991/20029
RAM KIT	991/20026
RAM KIT	991/20030
STEERING	991/00157
SWING	991/00163
SLEW	991/00018
STRING	991/20024
STAB/DIPPER	991/00130
STEERING	991 / 00156
SLEW	991/10142P
STABILIZER	991 / 00100
DIPPER STABILIZER	991 / 00145 (00107)
LIFT RAM	991/20028
LOADALL RAMKIT	991/20062
RAM SEAL KIT	991/00095
DIPPER KIT	991 / 00148
STEERING KIT	991 / 00099
SWING	991 / 00058
BOOM / LIFT	991 / 00131
STEERING	991 / 00151
BOOM / LIFT	991 / 00115
BOOM	991 / 00135
SLEW	991 / 20039
LIFT RAM	991 / 20027
BOOM	991 / 00144
STABILIZER	991 / 10141
LIFT RAM	991 / 00061
BOOM	991 / 00120
BUCKET	991 / 00121
LIFT RAM	991 / 10130
DIPPER	991 / 00146
<b>JCB 5D</b>	
SLEW	130/15240
STABILIZER	130/15241
TILT	130/15242
BUCKET	130/15243
DIPPER	130/15244
BOOM	130/15245
STEERING	130/15246

# BACKHOE LOADER

Cyl Details	Part No
<b>JCB SPARES</b>	
Rear HUB Seal	904/M6779 OR 904/50033
POLY Belt 8PK1835	320/08547
POLY Belt 8PK1866	320/08549
HYDRA CLAMP	904/09400
HYDRA CLAMP-3DX	904/20140
HYDRA CLAMP/PISTON CARRIAGE CL-3CX	904/20336
PUMP KIT-VITON	20/902901(VITON)
SPOOL SEAL & WIPER	25/975703 / 25/975704
SPOOL SEAL & WIPER (NEW PART NO)	25/221208 / 25/222661
SPOOL SEAL KIT (2017)	335 / G8251
MRV KIT	920 / 01548
ARV	25/22305
LOADER VALVE KIT	25/401408
L / V / B SEAL KIT (NEW)-25/221933-34-606837-606812 (5 ITEMS)	LVB2533343712
PIVOT PIN GREASE SEAL (4 Nos/Set) / BUCKET GREASE SEAL	813/00425 / 40/303396
PIVOT PIN GREASE SEAL (4 Nos/Set) BUCKET SEAL KIT- PU	813/00425PU/40/303396-PU
HUB O-RING	828/00196
JCB BRAKE SEAL / PISTON SEAL ( 2 NOS EACH ) - NBR	813/50012 / 813/50026 (NBR)
JCB BRAKE SEAL-VITON / PISTON SEAL ( 2 NOS EACH ) - VITON	813/50012 / 813/50026 (VITON)
JCB BRAKE / PISTON SEAL ( 2 NOS EACH) - NBR	813/50014/813/50015 (NBR)
JCB BRAKE / PISTON SEAL ( 2 NOS EACH) - VITON	813/50014/813/50015 (VITON)
KPC SEAL (4 Nos/Set)	813/0456
DUST SEAL( 4 Nos/Set) / BOOM GREASE SEAL	813/00427 / 40/303398
DUST SEAL (4 NOS / SET) / BOOM GREASE SEAL PU	813/00427-PU/40/303398-PU
OIL SEAL TRUNION	904/50040
OIL SEAL STEERING	904/06700
OIL SEAL REAR AXLE	904/50047
TRIPLE LIP SEAL (NBR)	904/20172 OR 904/50023 (NT)
TRIPLE LIP SEAL (VITON)BROWN	904/20172 OR 904/50023 (VT)
OIL SEAL FRONT	320/03119
OIL SEAL REAR F/WH (REAR CRANK SHAFT SEAL)	320/03029
BACKING RING BRAKE	813/M7603
HOSE O-RING KIT	137-3A
HOSE O-RING KIT (57 NOS)	550/40778
TRANSMISSION SERVICING KIT - 3D	904/14311
TRANSMISSION SERVICE MS SEAL KIT - 3DX	550/42833
WEAR PAD-NYLON-16 NOS/SET (3 TYPES)	331/20550, 20552, 20556
STABILISER WEAR PAD-GRAY COLOR 2 TYPES - 4 NOS/SET	400/L8798
STABILISER WEAR PAD-GREEN & RED COLOR 2 TYPES - 4 NOS/SET	400/L8801
UPPER WEAR PAD - 5MM - GREEN COLOUR- 4 NOS/SET	331/20550-G
THRUST WASHER WING POST (BLACK COLOUR)	823/10270
OIL SEAL KING PIN (2 Nos/Set)	904/07100

# BACKHOE LOADER

Cyl Details	Part No
<b>JCB SPARES</b>	
SEAL TRANSMISSION - VITON	904/20226 (VITON)
SEAL TRANSMISSION - NBR	904/20226 (NBR)
KINGPOST CARRIAGE SEAL (2Nos/Set)	123/04237
SLEW/SWING EYE END SEAL / SWING RAM GREASE SEAL	40/303399 / 813/00460
DUST SEAL PIVOT PIN (2Nos/Set) / CENTER PIN GREASE SEAL	813/00426/40/303397/904/06500/904/50043
OIL SEAL FRONT CARRIER (2 Nos/ Set) / TIE ROD GREASE SEAL	40/303623 OR 904/09300
OIL SEAL STUB AXLE	40/303621
FRONT HUB SEAL	904/06200
SEAL INJECTION PUMP - T / CASE	320 / 06519
O-RING BLANKING PLATE (1 PC)	320 / 08007
O-SEAL OIL FILTER (1 PC)	320 / 04092
O-RING INJECTOR SL SET (4 NO / SET)	320 / 02595
BACKING RING BRAKE (1 PC)	813 / M7604
GASKET	320 / 04510
VALVE STAMP SEAL SET ( 8 NOS / SET)	320 / 03533
OIL SEAL PUMP - VITON	904/M9407-V
OIL SEAL PUMP - NBR	904/M9407-N
HYD FILTER ORING KIT	FILTORING3DX
SEAL RING DIA 35 MM (PTFE)	904/50020
SEAL RING DIA 50 MM (PTFE)	904/50024
O-RING - G204 - 20	828/00248
SEAL RING	904/50020
OIL SEAL- PINION	904/05100
SPOOL KIT - TOP & BOTTOM	25/929305
O-RING	8M5248
O-RING	9M4849
TRANSMISSION SEAL - OUT PUT	904/M3026
IT BRAKE REPAIR SEAL KIT	15/914001
BACKUP RING - CHECK VALVE	25/924139
O-RING - CHECK VALVE	25/924138
GMG ROTARY VALVE SEAL - 3DX	25/606504
FLOW REGULATOR VALVE SEAL KIT	25/914403
FLOW VALVE SEAL KIT	25/9140902
LIFT RAM SEAL KIT	25/949303
COUNTER BALANCE LOADALL SEAL KIT	25/944001
VALVE CATRIDGE SEAL KIT	25/940102

# BACKHOE LOADER

Cyl Details	Part No
<b>L&amp;T CASE 770/851 FX</b>	
STABILIZER (580)	SSM802 / SP-802
STABILIZER (580)	BU-30049694 / B30049694
BOOM (W)	SSP4216
DIPPER (W)	SSP4217
BUCKET (W)	SSP4218
STABILIZER (W)	SSP4219
LOADER (W)	SSP4220
SHOVEL (W)	SSP4221
SLEW (W)	SSP4222
STEERING (W)	SSP4223
STEERING (W)	OB-800120040
STEERING (D)	DC7302-650
SWING (D)	DC7310-650
BOOM (D)	DC7309-650
DIPPER (D)	DC7308-650
BUCKET (D)	DC7306-650
LIFT (D)	DC7307-650
STABILIZER (D)	DC-7454-650
TILT (D)	DC-10235
TILT (D)	DC7305-650
LIFT	DC10234
SWING (W)	SSP6188
STABILIZER (W)	SSP6287
DIPPER (W)	SSP6889
TILT (W)	SSP7385
TILT	SSP7682
<b>L&amp;T CASE 770 EX</b>	
SWING	7568718
STABILIZER	47568716
BUCKET	47568736
BOOM	47568720
TILT	47568739
LIFT	47568738
DIPPER	47568734
STEERING	84330972
DIPPER	47628235
TILT	47570728
STEERING	85805990 ( 4X4 )
STEERING	OB80012020 (580)
KPC SEAL KIT (NEW)	KPC770-2013
SPOOL KIT	SPOOL770-EX
<b>L&amp;T CASE BACKHOE LOADER SPARE ITEMS</b>	
REAR HUB SEAL (CARRARO) - 82018035	87313744
REAR PINION SEAL (CARRARO)	82018849
HOSE O-RING KIT	073347093
REAR HUB O-RING	83417133

# BACKHOE LOADER

Cyl Details	Part No
<b>TEREX VECTRA TX-760</b>	
STABILIZER	TV-SSP-5090T (10X0069)
SWING/SLEW	TV-SSP-5093T (10X0092)
STEERING	TV-SSP-5095T (10X0134)
BUCKET	TV-SSP-5092T (10X0155)
BUCKET	TV-SSP-5089T (10X0175)
BOOM	TV-SSP-5087T (10X0197)
LIFT / SHOVEL	TV-SSP-5091T (10X0220) / SSP6521
DIPPER	TV-SSP-5088T (10X0241)
BUCKET	TV-SSP-5094T (10X0147)
<b>TEREX VECTRA TX-TX-740S</b>	
SWING	TV-SSP-7214T (10X1755)
DIPPER	TV-SSP-7942T (10X1626)
DIPPER	TV-10X2621
BUCKET	TV-SSP-8130T (10X1700)
BUCKET	TV-10X2619
STABILIZER	TV-SSP-8990T (10X1783)
BOOM	TV-10X2618
LIFT	TV-SSP-7819 (10X1637)
TILT	TV-10X2620
STEERING	TV-10X1776
KPC SEAL SET	6110790- KPC Seal with Nylon Piston
KPC SEAL	6110789-KPC Seal
<b>TEREX VECTRA SPARE ITEMS</b>	
REAR HUB SEAL (CARRARO) - 82018035	87313744
REAR PINION SEAL (CARRARO)	82018849
REAR HUB O-RING	83417133
FRONT HUB O-RING	6195588M1
<b>CAT- 424</b>	
STEERING	2152023
SWING	81406681
SWING	55X100-2013-2015
BOOM	81807629
BUCKET	81807651
BUCKET	4535733 - 2015
STICK/ DIPPER	81807670
STABILIZER	81807691
SWING	81807694
LIFT/TILT	81807735
KPC SEAL KIT	4325881



# BACKHOE LOADER

Cyl Details	Part No
<b>CAT- 424B</b>	
LIFT/LDR	2465926/3E65926/1916112 -PAR(1.875"X3.25")-2012
STABILIZER	3358231-2012
STABILIZER	1515349-(1.75"X2.75")-2012
ARM	3375012-2012
SWING	3404685-2012
BUCKET	3404686-2012
BOOM	3404687-2012
TILT	3404688-2012
STEERING	2849259-2012
BUCKET	4535733-(W)-2014
BOOM - (105 X 60)	4548652-(W)-14
BOOM - (115 X 65)	4548652-(W)-15
LIFT / TILT	4548636-(W)-2014
DIPPER / STCK	4540380-(W)-2014
SWING	4540417-(W)-2014
SHOVEL/TILT	4548636-2014
BUCKET	4537355-(D)-2014
BOOM	4548642-(D)-2014
STABILIZER	3358231-2014
DIPPER	4540368-(D)-2014
SWING	4540391-(D)-2014
KPC SEAL SET	4325881
STABILIZER	1515349
LIFT (D)	4540426 (D)
<b>CAT SPARE ITEMS</b>	
REAR HUB SEAL (CARRARO) - 82018035	87313744
REAR PINION SEAL (CARRARO)	82018849
HOSE O-RING KIT	4402815
REAR HUB O-RING	83417133
FRONT HUB O-RING	2310668

Cyl Details	Part No
<b>TATA HITACHI</b>	
<b>JD 315 V</b>	
KPC SEAL KIT	TE 20437
BOOM	TE 20666
ARM	TE 20667
BUCKET	TE 20668
LIFT	TE 20669
TILT/LIFT/SHOVEL	TE 20670
STABILIZER	TE 20671
STEERING	TE 20672
SLEW/SWING	TE 20673
ARM / DIPPER	TE 20846
<b>JD 315 V</b>	
DIPPER / ARM	TE 23452
STABILIZER	TE 23450
BOOM	TE 23451
BUCKET	TE 23453
LIFT	TE 23454
TILT	TE 23455
TILT	TE 22231
SWING	TE 23449
ARM / DIPPER	TE23897
REAR HUB O-RING	83417133
FRONT HUB O-RING	28565
<b>SHINRAI</b>	
BOOM	TC30091/60
TILT/BUCKET	TC30033/60
LIFT	TC30034/60
SWING	TC30094/60
BUCKET	TE24738
DIPPER	TC30346/60
STABILIZER	TC30119/60

# BACKHOE LOADER

Cyl Details	Part No
<b>ESCORT DIGIMAX</b>	
BOOM(W)	SK7600350
BUCKET(W)	SK7600351
LIFT(W)	SK7600352
ARM(W)	SK7600367
SWING(W)	SK7600368
SHOVEL(W)	SK7600369
STEERING(W)	SK7600370
STABILIZER(W)	SK7600371
BOOM (D)	SK7601150
TILT (D)	SK7601151
TILT	SK7601152
STABILIZER (D)	SK7601153
SWING/SLEW (D)	SK7601154
LIFT (D)	SK7601155
BUCKET (D)	SK7601156
ARM (D)	SK7601157
STABILIZER(W)	SSP8456
KPC SET HYDRA CLAMP SET(OLD)	DIGHYDRACLAMP
BOOM-DAM	SK7603488
BOOM-SAM	SK7603488
DIPPER/SLEW	SK7602463
LIFT(D)	SK7601950
LIFT	SK7602955
LIFT-NEW-80-50	LIFTN050080
STEERING	SK002246000
SWING-2017	SWING060100
REAR HUB O-RING	83417133
<b>BOBCAT</b>	
AXLE HOUSING OUTER SEAL	341837A2
O-RING SPOOL	84386291
O-RING IH SPOOL CAP	84386293
CASE SEAL LIP-IH	6678226/87012457
CNH O-RING	2395146
CASE IH-OIL LIP SEAL	86502227
CASE IH-SEAL KIT	84389261
BOB CAT OIL SEAL	7024826
BOB CAT AXLE SHAFT SEAL	7231090
BOB CAT GRIP	6702621
BOB CAT LIFT CYL SEAL KIT	7137770
BOB CAT TILT CYL SEAL KIT	7196894
BOB CAT SEAL KIT-ETERNAL FITTING	7123963
BELT DRIVE PUMP	6667322

Cyl Details	Part No
<b>MAHINDRA 37 ME</b>	
<b>2104SAA0-MAHINDRA (WIPRO)</b>	
BOOM	SSP8373-0010N(W)
BUCKET	SSP9416-0030N(W)
DIPPER/ARM	SSP9411-0020N(W)
SWING	SSP9417-0050N(W)
STABILIZER	SSP8248-0040N(W)
LIFT	SSP8249-0060N(W)
TILT	SSP8251-0070N(W)
STEERING	2104SAA00080N(W)
KPC SEAL SET - OLD	SSP8382(W)
<b>2104SAA0-MAHINDRA-(D)2017</b>	
BUCKET	11384-1940N(D)
BOOM	11382-1800N(D)
SLEW/SWING	11385-2050N(D)
STEERING	11389-2280N(D)
LIFT	11387-2130N(D)
DIPPER	11383-1880N(D)
STABILIZER	11386-2360N(D)
TILT	11388-2190N(D)
PUSHER SEAL KIT	MAHPUSH37ME
KPC SEAL SET - NEW	SSP9957(D)
<b>2104SAA0-MAHINDRA SPARE ITEM</b>	
REAR HUB SEAL (CARRARO) - 82018035	87313744
REAR PINION SEAL (CARRARO)	82018849
HOSE O-RING	4402815
REAR HUB O-RING	83417133
<b>BOBCAT</b>	
BOB CAT TILT CYL SEAL KIT	7236275
BELT DRIVE	47396937
FAN BELT - CASE	47396938
ALTERNATOR BELT	7100104/7100572
BELT DRIVE	7333266
OIL SEAL (NBR)	6684789(N)
CYL SEAL KIT (CASE & NEW HOLLAND)	84480931
CYL SEAL KIT (CASE-IH SEAL KIT)	84480928
BUSHING	6665701
BUSHING	6685060
MOTOR CARRIER OIL SEAL	6705847
FRONT HYDROSTATIC PUMP INPUT	7296603
SHAFT OIL SEAL	
FLAT RING	6660814
REPAIR SEAL KIT	6674798
FRONT HUB SEAL KIT	87711038

# EXCAVATOR

Description	Part No.
<b>TATA HITACHI EX - 60/65/70</b>	
BOOM	TC 00599/36 (W)
ARM	TC 00600/35 (W)
BUCKET	TC 00601/36 (W)
<b>TATA HITACHI EX-70</b>	
BOOM	TE-23318 (D) N/M
BUCKET	TE-23320 (D) N/M
ARM	TE-23317 (D) N/M
BOOM	TE-22672 (D)
ARM	TE-22677 (D)
BUCKET	TE-22674 (D)
TRACK MOTOR KIT	EX70TMKIT
TRACK MOTOR KIT(N)	EX70TMNEW
CENTER JOINT KIT	EX70CJKIT
TRAVEL DEVICE KIT (MDO)	EX70TRVDV
<b>TATA HITACHI EX-100</b>	
BOOM	TD-00749/46 (W)
ARM	TD-00751/38 (W)
BUCKET	TD-00752/40 (W)
CENTER JOINT	TE-02409-EX-100
<b>TATA HITACHI EX-110</b>	
BOOM	TD-20672/26 (W) N/M
ARM	TD-20674/25 (W) N/M
BUCKET	TD-20675/27 (W) N/M
BOOM	TE-23322 (W) N/M SUPER
ARM	TE-23321 (W) N/M SUPER
BUCKET	TE-23323 (W) N/M SUPER
BUCKET	TE-21601 (D)
BUCKET	TE-21602 (D)
BOOM	TE-21599 (D)
ARM	TE-21600 (D)
TRACK ADJUSTER	TA-EX-110T
CENTER JOINT	CJ-EX-110T
<b>TATA HITACHI EX-200</b>	
BOOM	TD-00716/49 (W)
ARM	TD-00718/40 (W)
BUCKET	TD-00719/41 (W)
BOOM	TD-20605/43 (W) N/M
ARM	TD-20604/40 (W) N/M
BUCKET	TD-20607/43 (W) N/M
BOOM (W)	TE20640/45 (N/M 07-08)
BUCKET (W)	TE20603/41 (N/M 07-08)

Description	Part No.
<b>TATA HITACHI EX-200</b>	
BUCKET	TE-23332 (W) N/M SUPER
BOOM	TE-25768 (W) N/M SUPER
ARM	TE-25306 (W) N/M SUPER
ARM	TE-21567 (DY)
BOOM	TE-21568 (DY)
BUCKET	TE-21569 (DY)
BOOM	TB00364/31 (HYUNDAI)
ARM	TB00366/35 (HYUNDAI)
BUCKET	TB00367/33 (HYUNDAI)
TRACK ADJUSTER	EX200TAKIT (W)
CENTER JOINT	TE-02409-EX-200 (W)
BUCKET O RING KIT	4089028
REGULAR PUMP KIT	EX200REGPMP
MAIN PUMP KIT (KAWASAKI)	K3V112DT
CONTROL VALVE KIT (PARKER)	EX200CVKIT
<b>TATA HITACHI EX-210</b>	
BOOM	TC-00792/35 (W)
ARM	TC-00794/38 (W)
BUCKET	TC-00795/37 (W)
BOOM	TE06699(DY)
ARM	TD06700(DY)
BUCKET	TE06701(DY)
SWING MOTOR KIT	EX210SWINGMT
TRACK ADJUSTER KIT	EX210TAKIT
CENTER JOINT KIT	EX210CJKIT
TRAVEL DEVICE KIT (MDO)	EX300TRVDV
<b>TATA HITACHI EX-300</b>	
CENTER JOINT	TE-02409
BOOM	TD-00621/41 (W)
ARM	TD-00623/36 (W)
BUCKET	TD-00624/37 (W)
<b>TATA HITACHI EX-350</b>	
BOOM	TC-00937/36/37 (W)
ARM	TC-00939/42 (W)
BUCKET	TC-00940/39 (W)
<b>TATA HITACHI EX-370 GI</b>	
BUCKET	TE15499

# EXCAVATOR

Description	Part No.
<b>JCB JS75/80</b>	
BOOM	550/41174
DIPPER	550/41173
BUCKET	550/41172
CENTER JOINT	JS7580CJKIT
TRACK ADJUSTER KIT	JS7580TAKIT
<b>JCB JS140</b>	
CENTER JOINT KIT	JS140CJKIT
BOOM	550/43378
ARM	550/43376
BUCKET	550/43377
BOOM - NEW-2014	JS140BOOM
ARM- NEW-2014	332/Y8674
BUCKET - NEW-2014	335/B6920
TRACK ADJUSTER KIT (NEW)	JS140TAKITNEW
CENTER JOINT KIT	JS140CJKIT
<b>JCB JS205</b>	
ARM	690 / 00754
BOOM	998 / 10020
BUCKET	690 / 00801
MAIN PUMP KIT	JS205PMPKIT
TRACK ADJUSTER KIT (NEW)	JS200TAKITNEW
TRACK ADJUSTER KIT	JS205TAKIT
CENTER JOINT KIT	JS205CJKIT
<b>JCB JS210</b>	
ARM	550/42243
BUCKET	550/42219
BOOM	550/41747
SWING MOTOR KIT	JS210SWMT
TRACK ADJUSTER KIT	JS210TAKIT
CENTER JOINT KIT	JS210CJKIT
MAIN PUMP KIT	JS210PUMPKIT
<b>JCB JS215</b>	
ARM	JS215ARM
BOOM	JS215BOOM
BUCKET	JS215BUCKET

Description	Part No.
<b>SANY - 75/80</b>	
BOOM	60082860K
ARM	60082864K
BUCKET	60082856K
CENTER JOINT KIT -90	SANY7580CJKIT
CONTROL VALVE KIT	SANY7580CVKIT
MAIN PUMP KIT	SANY7580PUMPKIT
SWING MOTOR SEAL KIT	SANY7580SWMT
TRACK MOTOR SEAL KIT	SANY7580TMKIT
<b>SANY - 135/140</b>	
BOOM	SANY135140BOOM
ARM	SANY135140ARM
BUCKET	SANY135140BUCKET
CENTER JOINT SEAL KIT	SANY135140CJKIT
CONTROL VALVE KIT	SANY135140CVKIT
MAIN PUMP KIT	SANY135140PUMPKIT
SWING MOTOR SEAL KIT	SANY135140SWMT
TRACK ADJUSTER KIT	SANY135140TAKIT
TRACK MOTOR SEAL KIT	SANY135140TMKIT
<b>SANY-210</b>	
ARM	6003555/K / 60283883
BOOM	SANY210BOOM
BUCKET	60283882
<b>SANY - 215</b>	
BOOM	60060287K
ARM	SANY215ARM
BUCKET	SANY215BUCKET
ARM	60035551K
ARM-2019	SANY215ARM19
CENTER JOINT SEAL KIT	SANY215CJKIT
CONTROL VALVE KIT	SANY215CVKIT
MAIN PUMP KIT	SANY215PUMPKIT
SWING MOTOR SEAL KIT	SANY215SWMT
TRACK ADJUSTER KIT	SANY215TAKIT
TRACK MOTOR SEAL KIT	SANY215TMKIT
<b>SANY - 240</b>	
BOOM	SANY240BOOM
ARM	SANY240ARM
BUCKET	SANY240BUCKET
CENTER JOINT SEAL KIT	SANY240CJKIT
MAIN PUMP KIT	SANY240PUMPKIT
SWING MOTOR SEAL KIT	SANY240SWMT
TRACK ADJUSTER KIT	SANY240TAKIT
TRACK MOTOR SEAL KIT	SANY240TMKIT

# EXCAVATOR

Description	Part No.
<b>L &amp; T KOMATSU-PC-60/7-PC71</b>	
BOOM	707-98-36590
ARM	707-98-35180
BUCKET	707-98-26580
BLADE	707-98-43130
SWING MOTOR KIT	PC71SWINGMT
TRACK ADJUSTER KIT	PC71TAKIT
TRAVEL DEVICE SEAL (MDO)	PC71TRVDV
SWING DEVICE SEAL	PC71SWINGDV
CENTER JOINT KIT	PC71CJKIT
PILOT LIVER KIT	PC71PTLV
HYDRAULIC PUMP KIT	PC71HYDPUMP
<b>L &amp; T KOMATSU-PC-81</b>	
BOOM	PC81BOOM
ARM	PC81ARM
BUCKET	PC81BUCKET
BLADE	PC81BLADE
SWING MOTOR KIT	PC81SWINGMT
TRACK ADJUSTER KIT	PC81TAKIT
TRAVEL DEVICE SEAL (MDO)	PC81TRVDV
SWING DEVICE SEAL	PC81SWINGDV
CENTER JOINT KIT	PC81CJKIT
PILOT LIVER KIT	PC81PTLV
HYDRAULIC PUMP KIT	PC81HYDPUMP
<b>L &amp; T KOMATSU-PC-130-7</b>	
BOOM	707-99-37300
ARM	707-99-44340
BUCKET	707-99-25870
SWING MOTOR KIT	PC130SWINGMT
TRACK ADJUSTER KIT	PC130TAKIT
TRAVEL DEVICE SEAL (MDO)	PC130TRVDV
SWING DEVICE SEAL	PC130SWINGDV
CENTER JOINT KIT	PC130CJKIT
PILOT LIVER KIT	PC130PTLV
HYDRAULIC PUMP KIT	PC130HYDPUMP
<b>L &amp; T KOMATSU-PC-136</b>	
BOOM	PC136BOOM
ARM	PC136ARM
BUCKET	PC136BUCKET
SWING MOTOR KIT	PC136SWINGMT
TRACK ADJUSTER KIT	PC136TAKIT
TRAVEL DEVICE SEAL (MDO)	PC136TRVDV
SWING DEVICE SEAL	PC136SWINGDV

Description	Part No.
<b>L &amp; T KOMATSU-PC-136</b>	
CENTER JOINT KIT	PC136CJKIT
PILOT LIVER KIT	PC136PTLV
HYDRAULIC PUMP KIT	PC136HYDPUMP
<b>L &amp; T KOMATSU-PC-200-6</b>	
BUCKET	707-99-45250
ARM	707-99-57270
BOOM	707-99-46270
BUCKET	707-99-46290
ARM	707-99-57180
BOOM	707-99-46150
BUCKET	707-99-45280
SWING MOTOR KIT	PC200SWKIT
TRACK ADJUSTER KIT	PC200TAKIT
CENTER JOINT KIT	PC200CJKIT
TRAVEL DEVICE SEAL (MDO)	PC200TRVDV
SWING DEVICE SEAL	PC200SWINGDV
PILOT LIVER KIT	PC200PTLV
HYDRAULIC PUMP KIT	PC200HYDPUMP
MAIN PUMP KIT	PC200PUMP KIT
<b>L &amp; T KOMATSU-PC-210-8</b>	
ARM	707-98-48610
BUCKET	707-98-39610
BOOM	707-98-46280
TRACK ADJUSTER	PC210TAKIT
CENTER JOINT	PC210CJKIT
TRAVEL DEVICE SEAL (MDO)	PC210TRVDV
SWING MOTOR KIT	PC210SWKIT
PILOT LIVER KIT	PC210PTLV
HYDRAULIC PUMP KIT	PC210HYDPUMP
<b>L &amp; T KOMATSU-PC-300-7</b>	
BOOM	707-99-58080
ARM	707-99-67090
BUCKET	707-99-58090
BUCKET	707-99-59610
SWING MOTOR KIT	PC300SWINGMT
TRACK ADJUSTER KIT	PC300TAKIT
TRAVEL DEVICE SEAL (MDO)	PC300TRVDV
SWING DEVICE SEAL	PC300SWINGDV
CENTER JOINT KIT	PC300CJKIT
PILOT LIVER KIT	PC300PTLV
HYDRAULIC PUMP KIT	PC300HYDPUMP

# EXCAVATOR

Description	Part No.
<b>HYUNDAI-R80</b>	
BOOM	31Y1-25440
ARM	31Y1-25610
BUCKET	31Y1-25780
CENTER JOINT SEAL KIT	HYR80CJKIT
SWING MOTOR SEAL KIT	HYR80SWMKIT
TRACK MOTOR SEAL KIT	HYR80TMKIT
TRAVEL DEVICE KIT (MDO)	HYR80TRVDV
<b>HYUNDAI-R110</b>	
BOOM	31Y1-23390
ARM	31Y1-23190
BUCKET	31Y1-22550
CENTER JOINT SEAL KIT	HYR110CJKIT
SWING MOTOR SEAL KIT	HYR110SWMT
TRACK MOTOR SEAL KIT	HYR110TMKIT
<b>HYUNDAI-R140</b>	
BOOM	31Y1-11-8170
ARM	31Y1-11-8110
BUCKET	31Y1-11-8210
CENTER JOINT SEAL KIT	HYR140CJKIT
SWING MOTOR SEAL KIT	HYR140SWMKIT
TRACK MOTOR SEAL KIT	HYR140TMKIT
<b>HYUNDAI-R160 LC-7</b>	
BOOM	31Y1-20430
ARM	31Y1-20450
BUCKET	31Y1-20340
CENTER JOINT SEAL KIT	HYR160CJKIT
SWING MOTOR SEAL KIT	HYR160SWMT
TRACK MOTOR SEAL KIT	HYR160TMKIT

Description	Part No.
<b>VOLVO-210 PRIME</b>	
BOOM	VOE-1458-9129
BUCKET	VOE-1458-9132
ARM	VOE-1458-9131
<b>VOLVO-210 B</b>	
BOOM	VOE-1451-5053
BUCKET	VOE-1451-5051
ARM	VOE-1451-5052

Description	Part No.
<b>HYUNDAI-R210</b>	
BUCKET O RING KIT	E161-3050
BUCKET	31Y1-05610/31Y1-15700
ARM	31Y1-15230
BOOM	31Y1-15880
SWING MOTOR	HYR210SWMT
BOOM-210-7	31Y1-15885
ARM-210-7	31Y1-15236
BUCKET	31Y1-15705
TRACK ADJUSTER KIT-Smart-2021	HYR210TAKIT
MAIN PUMP KIT	HYRK3V112DT
SWING MOTOR KIT LC-9 SMART	39Q6-11660
SWING MOTOR KIT - OLD	XKAY-00553
CONTROL VALVE KIT	HYR210CVKIT
<b>HYUNDAI-R215</b>	
BUCKET	HYR215BUCKET
BOOM	HYR215BOOM
ARM	HYR215ARM
BOOM-2018	XKCD-DA0081
ARM / D225LC	XKCD-DA0109
BUCKET-2017	XKCD-DA0138
<b>HYUNDAI-R220 SMART</b>	
BOOM	31Y1-05260
ARM	31Y1-05440
BUCKET	31Y1-05610
CENTER JOINT SEAL KIT	HYR220CJKIT
SWING MOTOR SEAL KIT	HYR220SWMT
TRACK MOTOR SEAL KIT	HYR220TMKIT



# HYDRA

Part No.	Machine Model No
<b>ACE HYDRA 12XW &amp; 14XW SEAL KIT RANGE</b>	
<b>JASSI</b>	
Lift Cylinder 63 Dia	ABMLCAKJ6300
Lift Cylinder 70 Dia	ABMLCAKJ7000
Lift Cylinder 90 Dia	ABMLCAKJ9000
Extn Boom Cylinder 63 Dia	ABECAKJ63000
Extn Boom Cylinder 70 Dia	ABECAKJ70000
Steering Cylinder 40 Dia	ABSCAKJ40000
Steering Cylinder 36 Dia	ABSCAKJ36000
Hallow Cylinder 80 Dia	ABECAKJ80000
<b>DENTAL</b>	
Lift Cylinder 63 Dia	ABMLCAK00200
Lift Cylinder 70 Dia	ABMLCAK002A0
Lift Cylinder 90 Dia	ABMLCAK02150
Extn Boom Cylinder 63 Dia	ABECAK002000
Extn Boom Cylinder 70 Dia	ABCAK002A00
Steering Cylinder 40 Dia	ABSCAK002000
Kit Steering Cylinder 36 Dia	ATBSC2102000
Kit Hallow Extn Cylinder 80 Dia	ABECAK14D000
<b>OSCAR</b>	
Lift Cylinder 63 Dia	ABMLCAK00000
Lift Cylinder 70 Dia	ABMLCAK000A0
Lift Cylinder 90 Dia	ABMLCAK000B0
Extn Boom Cylinder 63 Dia	ABECAK00000
Extn Boom Cylinder 70 Dia	ABECAK000A000
Steering Cylinder 40 Dia	ABSCAK000000
Steering Cylinder 36 Dia	ATBSC2100000
Hollow Extn Cylinder 80 Dia	ABECAK140000
<b>SUNDARAM</b>	
Steering Cylinder RHS with Bearing 40 Dia	A5000120099S
Steering Cylinder LHS 36 Dia	A5000130099S
Estn Cylinder 1.8 (Side Tube) 63 Dia	A5002090099S
Extn Cylinder 2.3 with Bearing 70 Dia	A5001350099S
Main Lift Cylinder 125 X 70 Dia	A5000380099S
Lift Jack Cylinder 125 X 63 Dia	A5001820099S
Hollow Cylinder 80 Dia	924200035800



## Belts for Earth Movers And Construction Equipments

Equipments Details	Max. Part No.	OEM Part No.
CATERPILLAR/CAT 220D/320D/323D Excavator	12PK-1850	-
CAT 300 / 320 Excavator	12PK-1880	-
CAT 320-D Excavator (CAT C-6.4 Engine)	12PK-1830	-
CAT 320 D2 Engine	12PK-2180	3572637
CAT 424 B/B-2	6PK-1190	-
CAT 950-H Wheel Loader	8PK-1900	3773023
CAT 3406 Diesel Eng - ALT	8PK-1755	-
CUMMINS/Cummins - 6BT Eng	8PK-1422	3935335/5259157
Cummins - Big Cam NT 855 Eng - WP	6PK-1095	-
Cummins Engine	8PK-1435	-
Cummins Engine	8PK-1775	3289235
Cummins Engine	12PK-1880	3098376
Cummins Engine	10PK-1525	3097272
Cummins Engine	12PK-1333	-
Cummins Engine	12PK-2045	-
Cummins Engine - Bore Well	12PK-1750	-
Cummins Engine - Bore Well	12PK-1790	-
HYUNDAI	8PK-1397	-
Hyundai 110	6PK-1270	-
Hyundai 110 Excavator	6PK-1215	-
Hyundai 140	8PK-1270	-
Hyundai 140 Excavator	6PK-1422	-
Hyundai 210	8PK-1385	FOT00800
Hyundai 215 Excavator	8PK-1390	-
Hyundai 480	8PK-1640	-
Hyundai Earth Mover	10PK-1487	-
JCB	10PK-1448	-
JCB-3DX	8PK-1835	320/08547
JCB-3DX-ALT	8PK-1525	-
JCB-3DX (New Model)	8PK-1855	320/08599
JCB-3DX (4.8L"4" Cyl D)	8PK-1995	320/08609
JCB: JS- 145HD/130LC/220/230/235HD	8PK-995	320/08671
JCB-New Model (2015 onwards)	8PK-1866	320/08549
JCB-Super Loader	7PK-1970	-
JCB (With Kirloskar Engine)	6PK-1215	4H.1664.02.00
JCB (With Kirloskar Engine)-Drive Belt	8PK-1840	-

Equipments Details	Max. Part No.	OEM Part No.
KIRLOSKAR	7PK-1760	-
Kirloskar-ALT	8PK-1460	-
KIRLOSKAR/Kirloskar Engine (JCB Earth Mover)	6PK-1215	4H.1664.02.00
Kirloskar Engine (JCB Earth Mover)	8PK-1835	320/08547
Kirloskar Oil Engine-ALT	6PK-1190	4H.1493.03.0.00
Kirloskar Oil Engine-ALT	7PK-1260	6H.1171.01.0.00
KOBELCO/Kirloskar Oil Engine-ALT	8PK-1215	-
L&T/KOMATSU/SK140	12PK-1260	-
Komatsu-DX420/DX480/DX520	8PK-1735	K1013625D1
L&T 370	8PK-1960	-
L&T Poclairn	8PK-1475	-
L&T Poclairn	8PK-1680	-
L&T Poclairn	8PK-1780	-
L&T Poclairn	8PK-1320	-
L&T Poclairn-Cummins Engine	8PK-1560	3911573
L&T Poclairn-Cummins Engine	8PK-1575	3920571
L&T Poclairn-Cummins Engine ALT	8PK-1600	3911575
L&T Poclairn-Cummins Engine ALT	8PK-1380	-
L&T Poclairn ALT	8PK-1230	979956
L&T Poclairn ALT	8PK-1615	-
L&T Poclairn ALT	8PK-1750	-
PC 130 Excavator (New)	8PK-1950	-
PC 200-7	8PK-1480	-
PC 200/300-ALT	8PK-1690	6732-813380
PC 200 ( Cummins Engine)-ALT	8PK-1230	6743613710
PC 200-ALT	8PK-1700	3915483/4993819
PC 200 Engine-ALT	8PK-1650	-
PC 201-ALT	8PK-1615	-
PC-210 (Cummins Eng). Cummins Part No: 3289224	8PK-1740	6754613810
PC 210-ALT	8PK-1795	-
PC 210-7	8PK-1755	-
PC 300	8PK-1180	-
PC 300/PC 300-7	8PK-1215	-
PC 300/300HD/300LL/340/350/350HD/350LL/360	8PK-1612	6743623710
PC 300-6	8PK-1620	-
LIEBHERR/Poclairn	10PK-1470	-
Liebherr-Lower Loader 550 MDL	8PK-1750	11005218 CT
PERKINS/Liebherr-Lower Loader 550 MDL	8PK-1885	4981201 CT
"TATA HITACHI 1104D-E44TA, 1106D-E66TA/1206E-E70TTA, 1206F-E70TTA"	8PK-1590	2614E012
EX-200	8PK-1422	-
Tata 6CTA 8.2 Series (Cummins Eng)	8PK-1720	-
Tata Hitachi	8PK-1320	-
Tata Hitachi (4 DL Engine Delphi Dicor LSD)	6PK-1240	-
Tata Hitachi Earth Mover	6PK-1175	-
Tata Hitachi Earth Mover	6PK-1475	-
Tata Hitachi Earth Mover"	8PK-1690	-

Equipments Details	Max. Part No.	OEM Part No.
Tata Hitachi Excavator	8PK-1615	-
Tata Hitachi Poclair	8PK-1780	-
Zaxis 210	12PK-1800	-
VOLVO CONSTRUCTION EQUIPMENT/Zaxis 220	12PK-1850	32F4900100
Volvo-210	8PK-2120	-
Volvo-210 Excavator (D6B Engine)	9PK-1560	-
Volvo-460	12PK-1800	-
Volvo-480 DL (Excavator)-Fan Belt	10PK-1735	14881276
Volvo-480 DL (Dumper/Tipper) /L150G/L180G/L220G/L250G	8PK-1675	17418268
Volvo-D6D Engine	10PK-1510	-
Volvo-EC 210B Engine	8PK-1473	15078671
Volvo-Engine	10PK-1739	20459311
Volvo-Engine-ALT	8PK-1535	20430611
Volvo-Engine-ALT	8PK-1537	20430611
Volvo Excavator EC 240 Engine	10PK-1710	21620133
Volvo-HEMM	8PK-1350	-
Volvo-HEMM	8PK-2135	Cummins 3972375
Volvo-HEMM	12PK-1775	-
Volvo-HEMM-ALT	8PK-1925	-
Volvo EC210- HEMM-ALT	10PK-1487	-
Volvo-HEMM-ALT	10PK-1500	-
Volvo-VHD D12 & D13 (D) Eng/VN D11 & D13 (D) Eng-ALT	8PK-1595	11128923
Volvo-VN/VNLSeries (Cummins Eng)-ALT	8PK-1590	-
Volvo-VN Series (Caterpillar 3406 Diesel Eng)-ALT	8PK-1755	-
HEMM	8PK-800	-
HEMM (KOMATSU PC220-8 FAN)	8PK-1217	6754-61-3810
HEMM	8PK-1612	-
HEMM	8PK-1990	-
John Deere Equipment 6068-617ATZ 110 HP/657 125 HP/607ATZ 143 HP	8PK-1600	-
John Deere Equipment	8PK-2060	R530327
ESCORTS HYDRA 14 TON S4 ENG (ALT)	AVX13-1365	
Terex	AVX13-1320	
KIRLOSKAR / CUMMINS/Cummins 380 NVA DG	AVX13-950	
Cummins 495 - Water Pump Belt	AVX17-1035	
Cummins Latest - Water Pump Belt	AVX17-1050	
Kirloskar Cummins	AVX17-1110(1125)	
Kirloskar Engine	AVX10-1230	
Kirloskar Oil Engine	AVX17-1015(1028)	
Kirloskar Oil Engine (HA3 & HA4)	AVX10-1280	
PC-200-6	AVX10-1135	
SIMPSON/Simpson P6-354	AVX13-1140- (1165)	
Simpson S4 33.4 Engine - Fan Belt	AVX13-1207	
CNH (Case) V-Belt Engine ISM 978	47396937	
CNH (Case) V-Belt Engine ISM 101	47396938	
Bobcat Belt Alte	7100104	

# CASSETTE SEALS

Maxspare cassette seals deliver consistent sealing reliability in demanding applications. These complex seals are used in harsh environments under extreme operating conditions and expected to operate around the clock while exposed to far greater amounts of dust, moisture and general physical debris than on road vehicles. The cassette seals are usually made up of a sleeve, sealing lip with a spring and several anti-dust lips integrated into a labyrinth system to protect against external contamination. This minimizes shaft finish requirements and eliminates shaft grooving.



Axial bumper (feature for proper cassette seal installation)



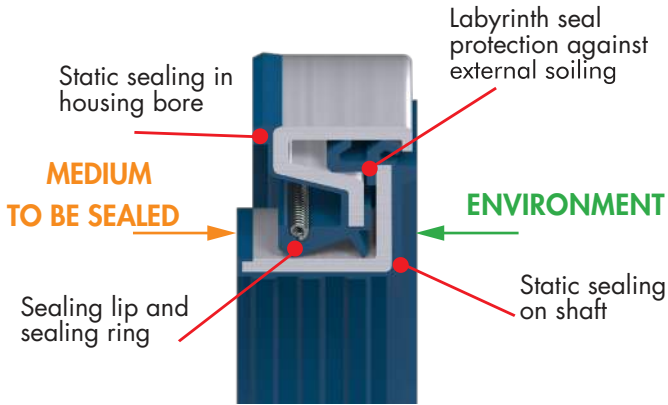
# CASSETTE SEALS PROFILES

R78	RF2	RE5	RF1	RG1	RE4	RF4

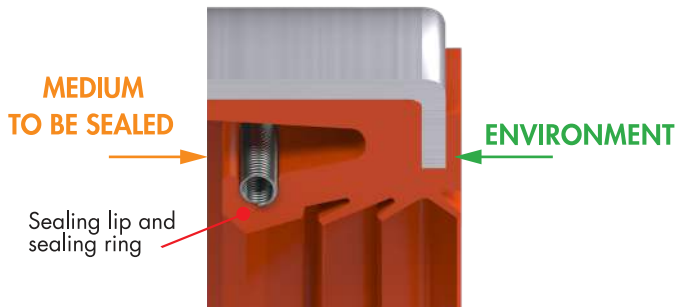
RH3	RE3	RE8	RF6	RG5	RG8	RG9

# CASSETTE SEALS

## Axle Hub Seal



## Rotavator Multilip seal



\*Seal images shown are for representation only

## CASSETTE SEALS PROFILES

RE7	RE9	RF5	RE6	RF3	RF7	RF8

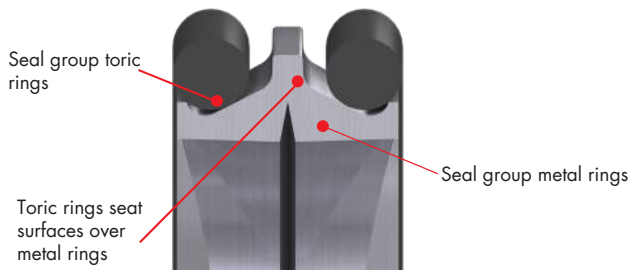
RF9	RG2	RG3	RG4	RI1	RH9	RH7

# MECHANICAL FACE SEAL ( DUO-CONE SEAL )

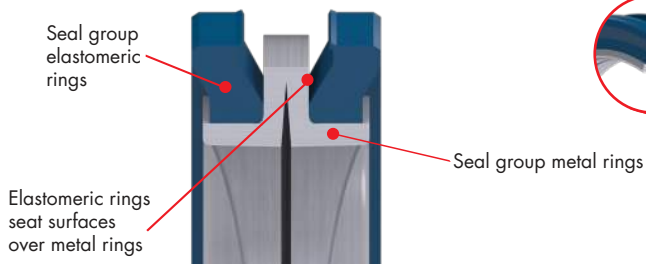
Mechanical face seals are widely used in rotating equipment and applications to seal between rotating shafts and stationary casings and prevent leakage. We use special hard cast iron materials offering performance benefits in harsh application conditions.

These seals are used in heavy technical equipment such as construction machinery, mining machinery, concrete and cement mixers, conveyors, tunnel boring and agricultural equipment. Our face seals ensure lubricant retention within components such as wheel hubs, axles, track rollers, transmissions and more.

## With O-Ring energizer (MDO)



## With Flat Ring energizer (MDF)

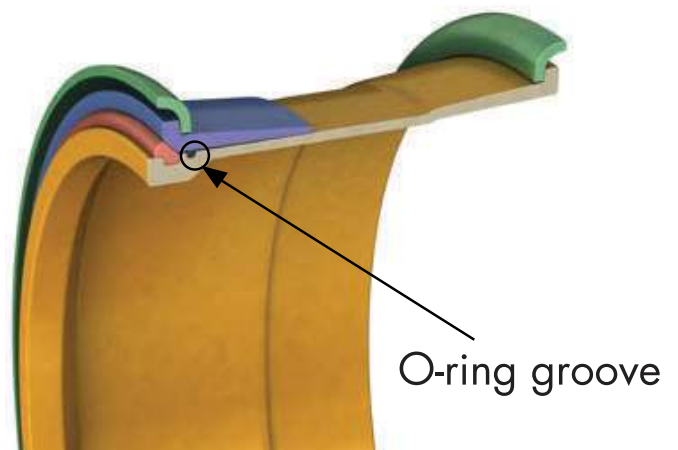
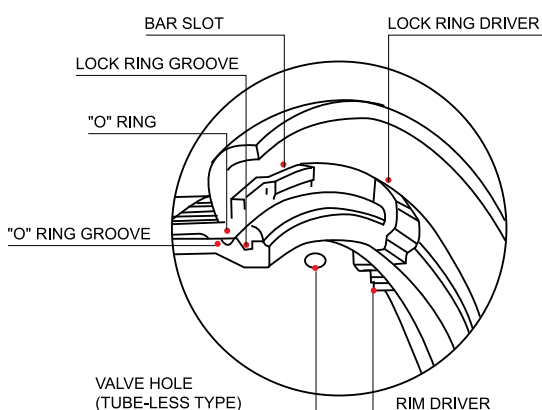


# OTR - O - Ring



S.No.	O-Ring	Rim Ø
1	OR224T	15.5-25
		17.5-25
2	OR225T	18.0-25
		20.5-25
		23.5-25
		26.5-25 / 29.5-25
3	OR335T	26.5-29
		29.5-29
		30.0 / 65.0-29
		33.25-29
4	OR345T	18.0-33
		33.5-33
		35.0 / 65.0-33
		27.5-33
5	OR349T	21.0-35
		24.0-35
		29.5-35
		33.25-35
6	OR351T	24.00-49
		27.00-49

Max spare offers OTR-O-RING in high quality Natural rubber compound having excellent properties of compression set and designed to reduce leaks & long service life



## MAX Oil

### Variants

Hydraulic Oil :- AW32, AW46, AW68

Cutting Oil

Rust Preventive Oil

Axle Oil :- EP140

Engine Oil :- 15W40

Gear Oil :- 80W90GL4, EP90GL4, EP140,  
220, 320

Transmission Oil :- ATF



Max Hydraulic oil is premium quality, anti-wear hydraulic oils intended for industrial and mobile service applications, subjected to moderate operating conditions and requiring anti-wear lubricants. This offers outstanding hydraulic pump performance,

**Packaging option :** 5 ltr, 15 ltr, 20 ltr, 26 ltr & 210 ltr

## MAX Grease

### Variants

AP2, AP3, EP2, EP3, MP, CHASSIS  
GREASE

Max spare offer Lithium & Calcium based grease lubricate moving parts with excellent shear stability, anti-rust, anti-corrosion and water resistant properties



**Packaging option :** 200gms, 500gms, 1kgs, 5kgs, 10kgs, 18kgs & Drum - 180kgs



Max Spare uses raw materials of global standards procured from well known global companies such as DuPont, Lanxess, Bayer, Japan Synthetic Rubber, Huntsman etc.

### Our Global Suppliers -



### Elastomers:

Materials (Commonly known as)	Material Description	Temp. Range	Hardness (Shore A)
NITRILE	Acrylonitrile Butadiene Rubber (NBR)	-30°C to + 100°C	40A to 95A
NITRILE	Low Temp. Resistance Acrylonitrile Butadiene Rubber	-50°C to + 100°C	65A to 85A
NITRILE	High Oil Resistance Acrylonitrile Butadiene Rubber	-30°C to + 120°C	65A to 85A
XNBR	Carboxilated Nitrile Rubber (XNBR)	-30°C to + 100°C	60A to 95A
HNBR	Hydrogenated Acrylonitrile Butadiene (HNBR)	-30°C to + 150°C	60A to 90A
VITON	Fluro Rubber (FKM)	-40°C to + 220°C	60A to 95A
FFKM	Perfluoro Elastomer (FFKM)	-10°C to + 300°C	70A to 75A
FEPM	AFLAS (FEPM)	-10°C to + 200°C	70A to 95A
SILICONE	Silicon Rubber (VMQ)	-70°C to + 200°C	40A to 95A
FVMQ	Fluorosilicone Rubber (FVMQ)	-70°C to + 220°C	70A to 85A
NEOPRENE	Chlorobutadiene Rubber (CR)	-20°C to + 100°C	40A to 95A
EPDM	Ethylene Propylene Diene Rubber (EPDM)	-40°C to + 120°C	40A to 95A
BUTYL	Butyl Rubber (IIR)	-40°C to + 120°C	40A to 90A
NR	Natural Rubber (NR)	-30°C to + 80°C	30A to 95A
SBR	Styrene Butadiene Rubber	-50°C to + 100°C	40A to 95A
ACM	Polyacrylic Rubber (ACM)	-10°C to + 170°C	60A to 85A

### Fabrics:

Materials (Commonly known as)	Material Description
Cotton Fabric	Cotton Fabric
Aramide Fabric	Aramid Fabric
Kevlar Fabric	Kevlar Fabric
Nylon Fabric	Nylon Fabric

Note: Fabric listed can be impregnated with above elastomers as per application requirement.

### Thermoplastics & Thermosets:

Materials (Commonly known as)	Material Description	Temp. Range	Hardness (Shore A)
PU	Oil Resistance Polyurethane	-30°C to + 100°C	70A to 67D
PU - X	High Oil Resistance Polyurethane	-40°C to + 150°C	92A
PU - W	High Heat + Hydrolysis Resistance	-40°C to + 130°C	92A
CPU - H	Hydrolysis Cast Polyurethane	-30°C to + 100°C	90A
CPU - O	High Oil Resistance Cast Polyurethane	-30°C to + 100°C	95A
PP	Polypropylene (PP)	95°C	M80
LLDPE	Linear Low-Density Polyethylene	97°C	M65
UHMWPE	Ultra-High-Molecular-Weight Polyethylene	-270°C to +80°C	62D to 65D
PPS	Polyphenylene Sulphide	200°C	M100
DELRIN	Polyacetal (POM)	-40°C to + 140°C	M84
G.F.PA66	Glass Filled Polyamide (Nylon)	-20°C to + 220°C	M95
PEEK	Polyether Ether Ketone	Up to + 315°C	M99
TEFLON	Polytetrafluoroethylene (PTFE)	-200°C to + 260°C	50D to 65D
HYT	Hytrel	-30°C to + 100°C	46D to 72D
PRW	Polyester Resin Fabric	-20°C to + 120°C	M95
BFT	Bronze Filled Teflon (40% & 60% Bronze Filled PTFE)	-200°C to + 260°C	71D to 73D
GFT	Glass Filled Teflon (15% & 25% Glass filled PTFE)	-200°C to + 260°C	66D to 68D
CFT	Carbon Filled Teflon (15% & 25% Carbon filled PTFE)	-200°C to + 260°C	71D to 73D
GRT	Graphite Filled Teflon (15% & 25% Graphite filled PTFE)	-200°C to + 260°C	62D to 65D
TPE	Polyester Elastomer	-50°C to + 100°C	55D to 63D
PF	Phenolic Resin Bonded Fabric	-20°C to + 120°C	M89

# STORAGE OF SEALS

## Storage Conditions:

Most polymers, including vulcanized rubber and other elastomers, tend to change their properties during storage and may become unusable. This may be due to hardening, softening, cracking or other deterioration and may result from exposure to oxygen, ozone, light, heat and / or moisture.

The following recommendations indicate the most suitable storage conditions for elastomeric products, whether it is a single item or a composite product.

- Temperature** - Ideal storage temperature should be 25°C (77°F). Low temperatures are not permanently harmful provided the rubber items are handled carefully and not distorted. When taken from low temperatures items should be raised to approximately 30°C (86°F) before they are used.
- Humidity** – Relative humidity is of 40% to 70% in a draft-free atmosphere.
- Light** – The products should be protected from direct sunlight, ultraviolet and artificial light have a high UV content.
- Oxygen and Ozone** - Wrapping, storage in airtight containers or other suitable means should be used for vulcanised rubber items. Storage in containers that limit exposure to environmental conditions (e.g. sealed plastic bags) should be used for all materials.
- Radiation** – Products should be protected from all sources of ionizing radiation.
- Deformation** – The rubber items should be stored in a relaxed position, without tension or compression. Laying the product on a flat surface and preventing its suspension or crushing keeps it from deforming and minimizes deformation.
- Contact with liquid or semi-liquid materials** – Rubber should not come in to contact with liquid or semi-liquid materials or their vapours at any time during storage, unless these materials are an integral part of the product or the manufacture’s packaging.
- Contact with Metals** - Metals such as manganese, iron and copper, or copper alloys can have a harmful effect on rubber. A layer of paper, polyethylene or cellophane will keep these separated.
- Contact with Non-Metals** - Contact with other rubbers should be avoided.
- Stock Rotation** - Elastomers should be stored for as short a period as possible, and practice the First In First Out (FIFO system) stock liquidation.
- Cleaning** - Organic solvents such as trichloroethylene, carbon tetrachloride and petroleum are the most harmful agents. Soap and water and methylated spirits are the least harmful, and all parts should be dried at room temperature before use.
- Shelf Life** - The table shows the storage life of seal components made from the more common materials under ideal conditions. Storing under less than ideal conditions will reduce the life of the component.

Careful inspection for the following should be made before installation after storage:

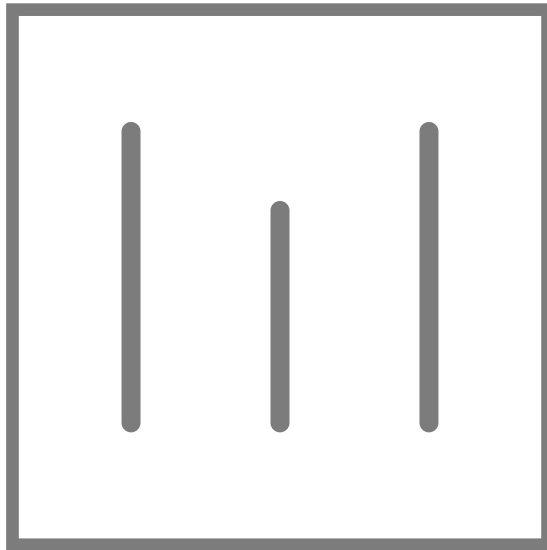
- Cracks or Surface crazing
- Mechanical damage
- Permanent distortion
- Surface softening or hardening

Rubber / Elastomer	Max Code	Primary storage period (Years)	Extension of storage period after visual re-inspection (Years)
Nitrile Butadiene Rubber (NBR)	NT	7	3
Ethylene Propylene (EPDM)	EP	10	5
Fluorocarbon (FKM)	VT	10	5
Vinyl-Methyl-Silicon (VMQ)	SL	10	5
Polyurethane (PU)	PU	5	2
Engineering Thermoplastics:			
Acetal (POM)	ACT	Unlimited	-
Polyamide (PA)	NY		
Polytetra uoroethylene (PTFE)	PFT		

# Seal Warehouse



**OVER 1,00,000 SIZES IN STOCK**



---

## MAX GROUP COMPANIES

---



### MAX SPARE LIMITED

C-44, Road No. 28, Wagle Estate,  
Thane (W) - 400604. Maharashtra, India  
T : +91-22-5028 4444 / 2222 5555  
E : sales@maxspare.com  
W : www.maxspare.com



### UNITED VAN DER HORST LIMITED

E-29/30, MIDC Taloja,  
Navi Mumbai - 410208. Maharashtra, INDIA  
T : +91 22 27412728 / 29  
E: sales@uvdhl.com  
W: www.uvdhl.com



### NIRLON V-BELT

Survey No. 50, Hissa No. 1,2,3B/2B,  
Dahivali, Pali Phata, Khopoli, Tal. Khalapur,  
Dist. Raigad, Maharashtra - 410203  
T : +91-22-5028 4444  
E : sales@maxspare.com  
W : www.maxspare.com



### THE RUBBER PRODUCTS LIMITED

C-44, Road No. 28, Wagle Estate,  
Thane - 400604. Maharashtra, INDIA  
T : +91-22-5028 4444  
E: rpl@rubpro.com  
W: www.rubpro.com